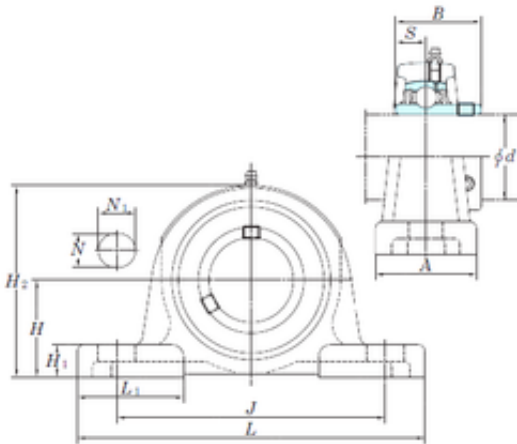




China 6202 Bearing Supplier

NSK NTN Asahi Koyo Pillow Block Bearing Textile Machinery Bearings Housings UCP305 P306



Bearing No. UCP305

Bore Diameter	25 mm
Width	38 mm
d	25 mm
A	45 mm
B	38 mm
H	45 mm
H1	16 mm
H2	85 mm
J	132 mm
L	175 mm
L1	55 mm
N	17 mm
N1	20 mm
S	15 mm
Bolt (G)	M14
Weight	1,7 Kg
Basic dynamic load rating (C)	21,2 kN
Basic static load rating (C0)	10,9 kN
Bearing No.	UCP305
Bolt size	M14
Cr	21.2
C0r	10.9
f0	12.6
(Refer.)Unit mass(kg)	1.7

UCP305 Bearing 2D drawings and 3D CAD models



China 6202 Bearing Supplier

Nipple size	1/4-28UNF
-------------	-----------